



INSTANTANEOUS AND FUNCTION RELAYS

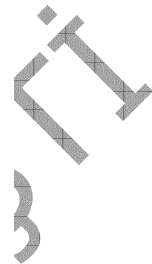
Timer relays 2 contacts / 1841



TEC

1841

- ▶ rear wiring socket with clips ER/GE 2.8
- ▶ rear wiring socket / PCB mounting ER/GE
- ▶ front wiring socket with clips EVC/GE
- ▶ front wiring socket with clips 9876
- ▶ front wiring socket / screw terminals EVB/GE
- ▶ front wiring socket / screw terminals 9877

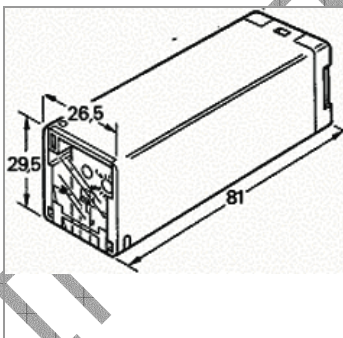


DESCRIPTION

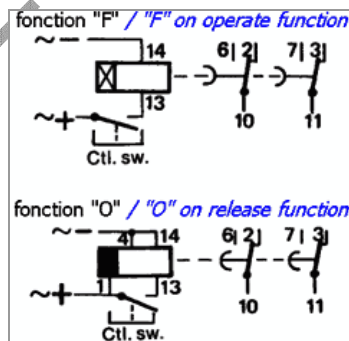
Timer relay - 2 CO contacts - 5 A.

Pluggable on the following sockets : 9876, 9877, EVB/GE, EVC/GE, ER/GE 2.8 et ER/GE.

Dimensions



Connection



OPERATION PRINCIPLE

Timing function selector on front face ("F" on closing - "O" on opening).

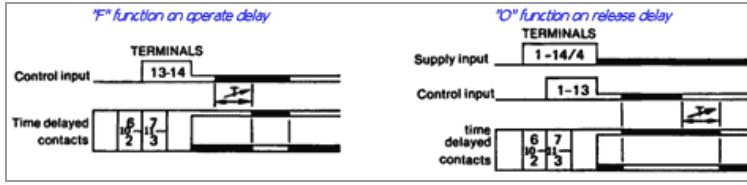
Time selection by range selector switch and potentiometer on front face (0,1 to 400 sec in 2 ranges).

Visualisation of the output state by LED.

Protection of the selections by closable front cover.

See operation scheme hereafter.

PLAN



TECHNICAL FEATURES

Function	timer
Presentation	under cover
Connection	on front or rear wiring socket
Operating temperature	- 10 to + 55°C
Storage temperature	- 40°C to + 80°C
Climatic protection	reinforced climatic protection
Shock voltage	50 g - 11 ms
Weight	100 g.

COIL DATA

	Direct current	Alternative current
Min. nominal voltage DC	24 V	240 V
Min. nominal voltage AC	24 V	240 V
Operating range	-20/+10% of nominal voltage	

CONTACTS

Number of contacts	2
Contacts material	silver alloy with gold flash
Max. load current	5 A per contact
Low power switching	100 mVA with min. voltage 1 V or I min 1 mA
Short-circuit load	100 A - 30 ms
Response time	20 ms

VERSIONS

Withdrawal is proposed as an option.

For any complementary information regarding mounting and withdrawal, please refer to the technical support pages of this site or contact us. İMAJTEKNİK LTD ŞTİ www.imajteknik.com

İmaj Teknik Elektrik Elektronik San. ve Tic. Ltd. Şti.
EMEKYEMEZ MAH.TUTSAK SOK. NO: 16/13-14-15
KARAKOY/İSTANBUL
TURKEY
Telefon : +90 212 235 9535 / 36 www.imajteknik.com
Fax : +90 212 235 9537 www.imajteknik.com.tr